

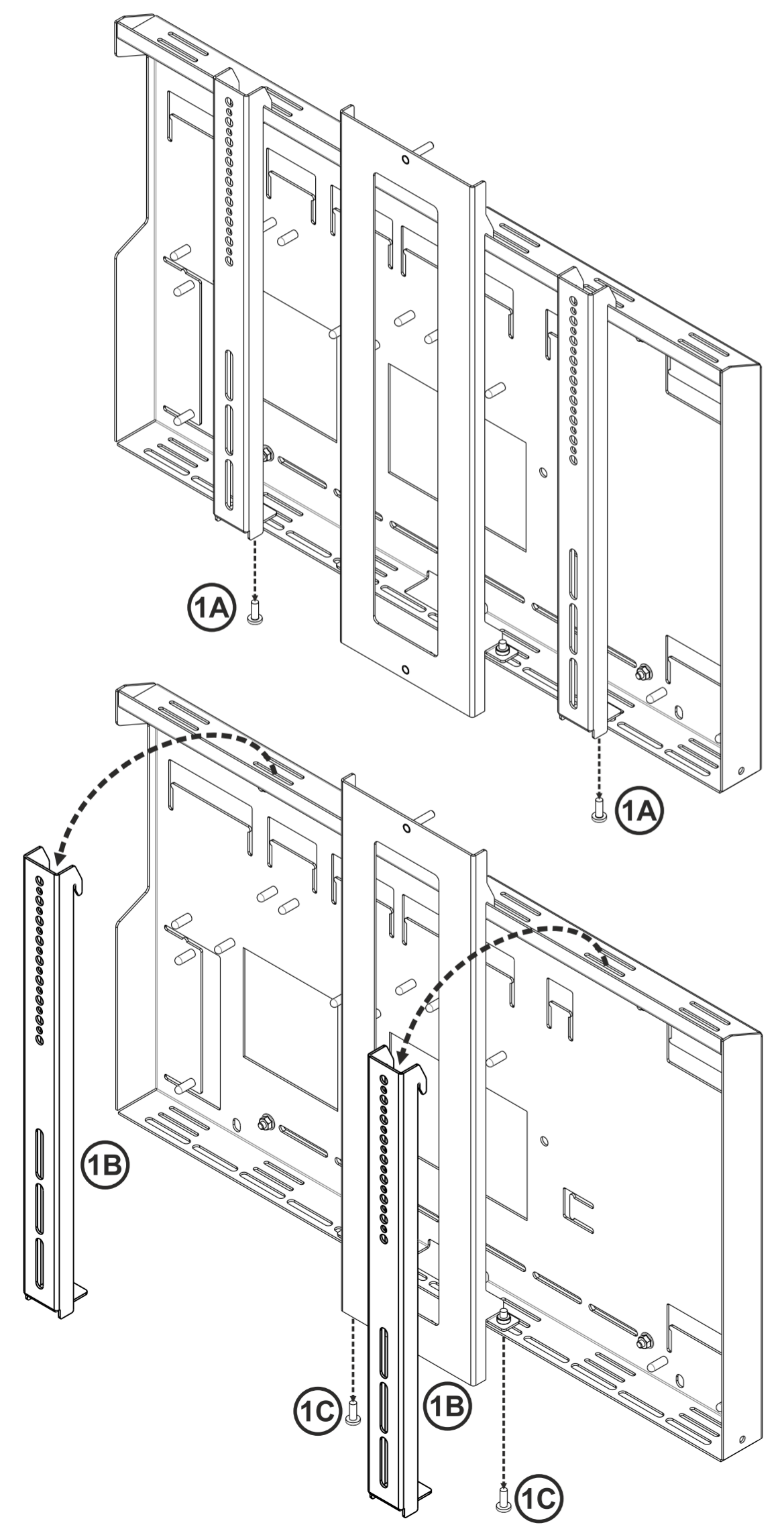


Screen Fixing Kit	
F - M6 x 30mm	X4
G - M8 x 30mm	X4
H - M8 x 50mm	X4
I - M8 x 20mm	X4
J - M6 washer	X4
K - M8 washer	X4
L - M8 x 6.5mm	X4
M - M6 x 6.5mm	X4
N - M8 x 6mm	X4
O - M8 x 12.5mm	X4
P - M6 x 20mm (Spare)	X2

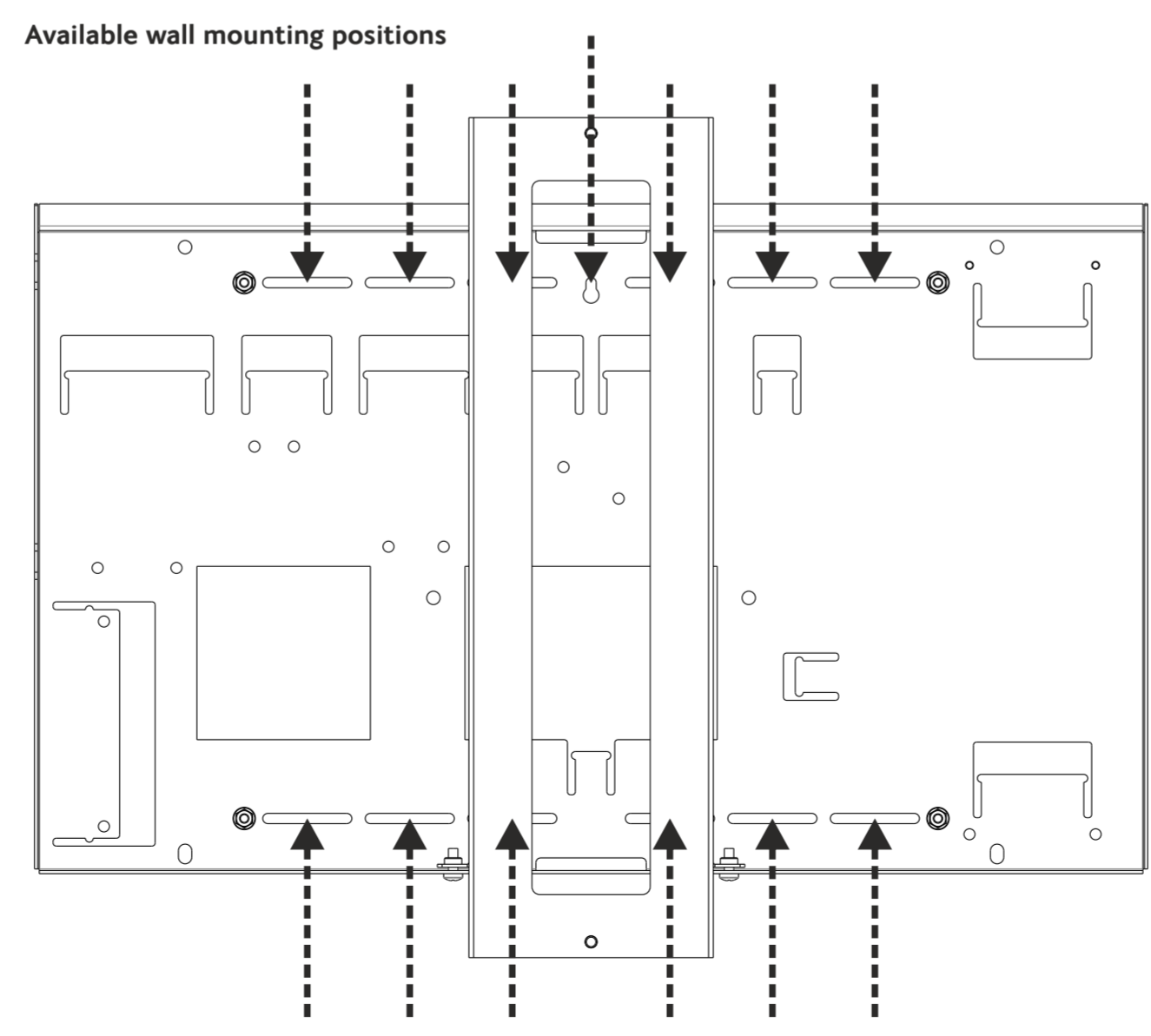
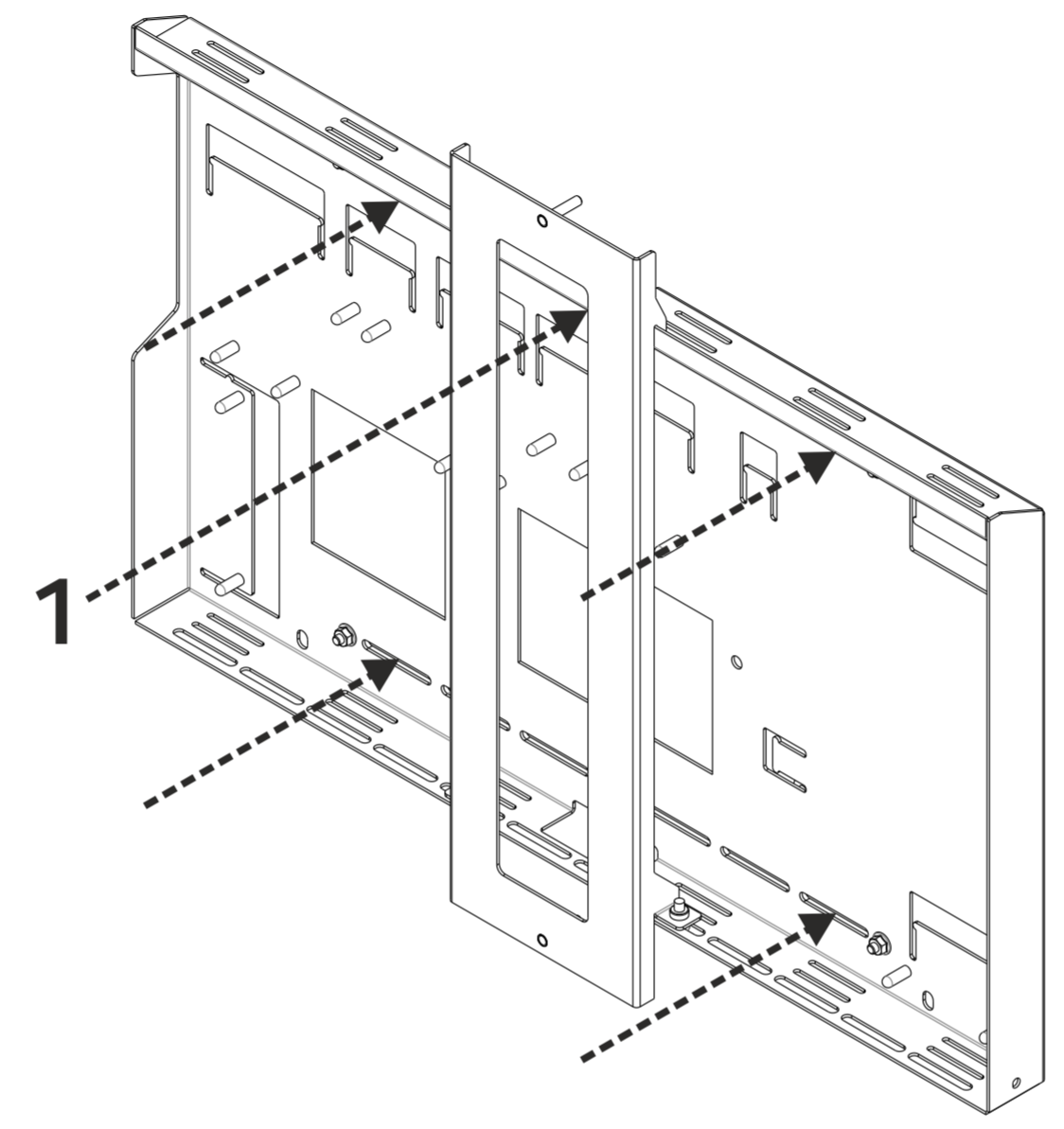
Kit for mounting to existing system	
Q - M6 washer	X8
R - M6 nut	X4

System Assembly Kit	
A - M6 x 20mm (Pre-assembled)	X4
B - Spacer	X1
C - Handwheel	X1
D - M6 Wingnut	X2
E - 1/4" x 3/8" UNC	X1

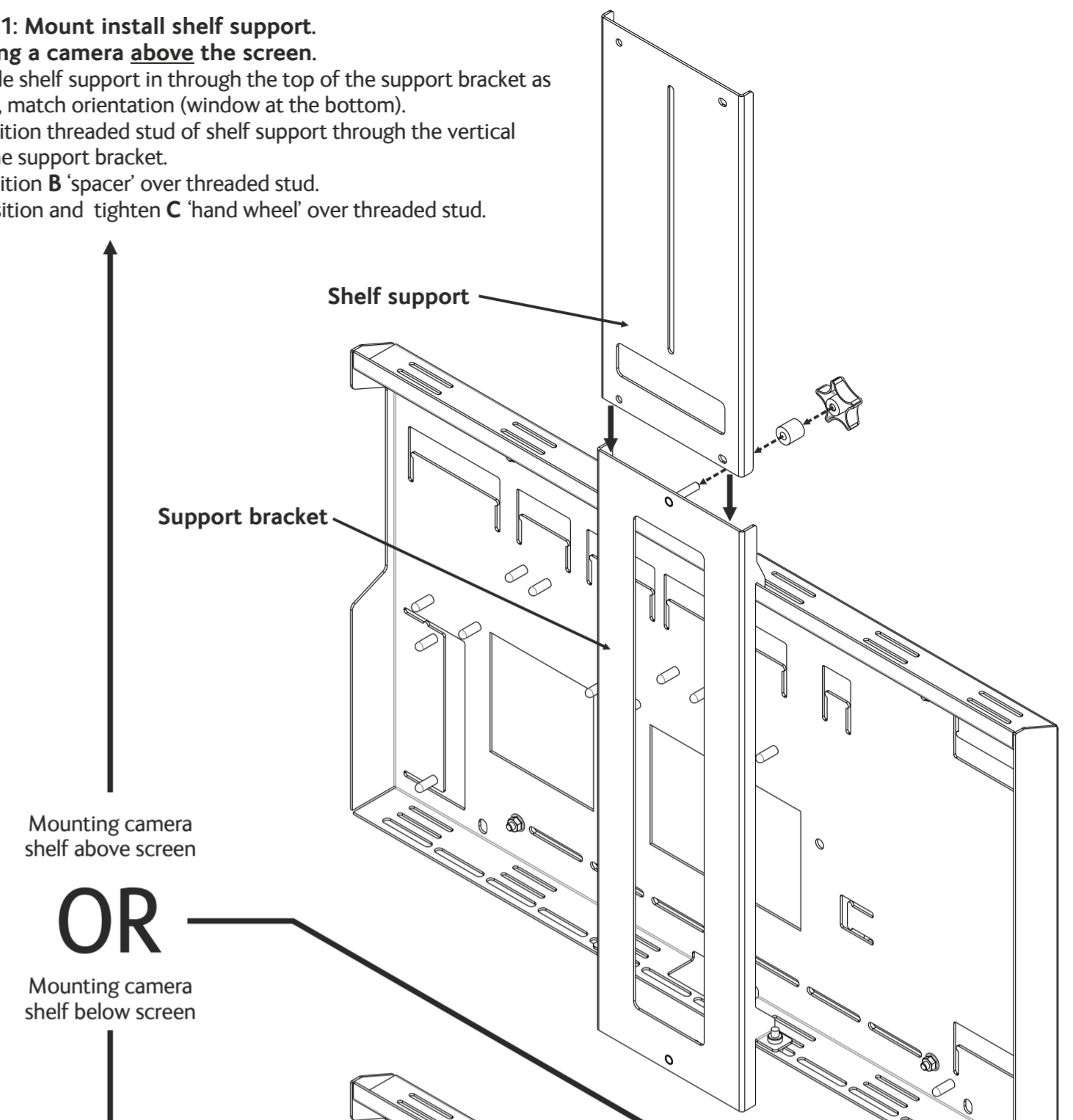
1 Remove TV mounting arms.
1A - Remove security screw (A x2) from each of the TV mounting arms.
1B - Lift both arms away from the main mounting plate.
1C - If you require, the shelf support bracket can be removed using the same method.



2 Mount back panel to wall.
2A - Use position '1' (keyhole) to hang the back panel in position.
2B - Mark at least four other positions (not limited to) and remove back panel.
2C - Drill and prepare fixing points.
2D - Re-fit back panel to position '1' and install remaining fixings.

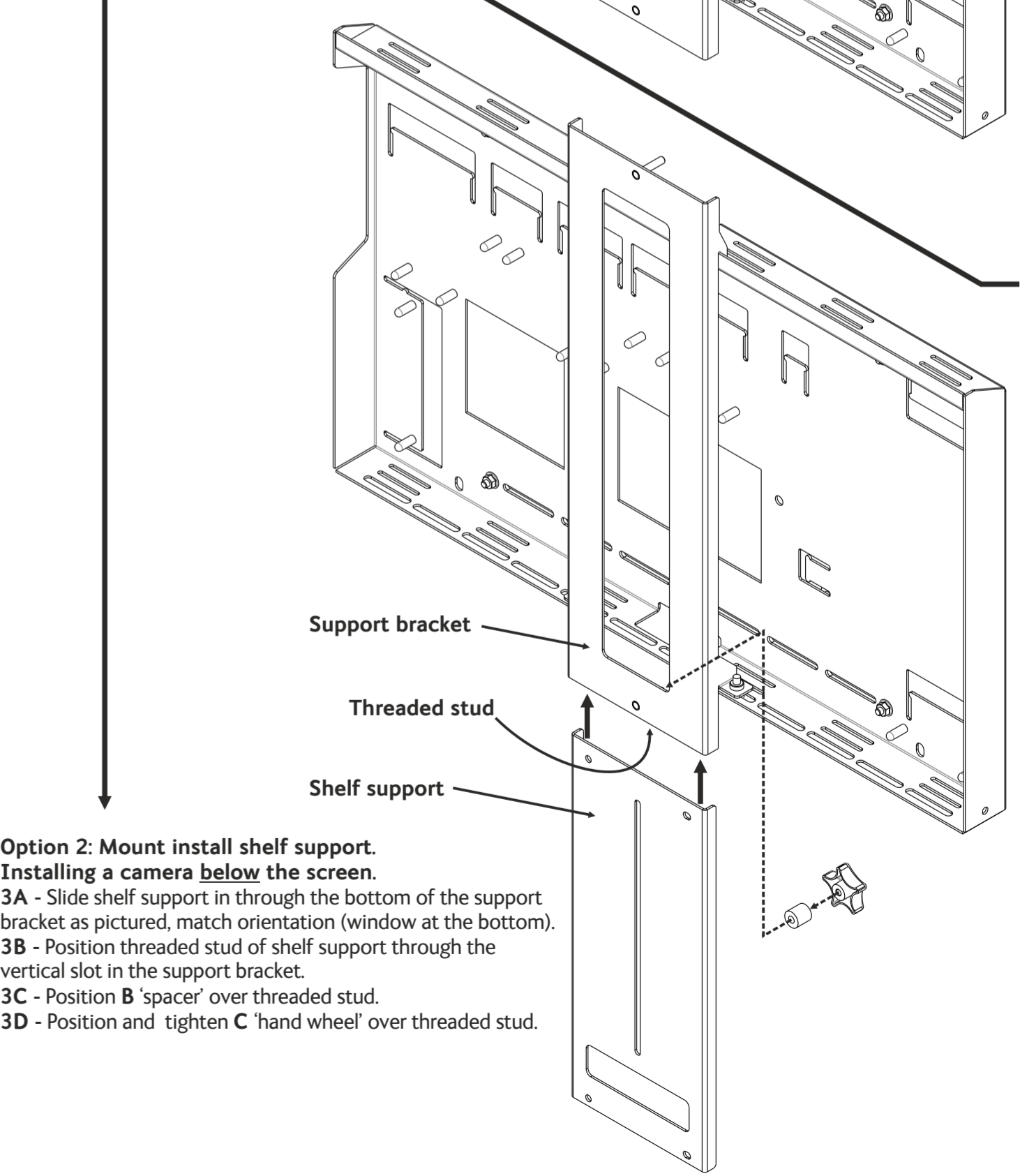


3 Option 1: Mount install shelf support. Installing a camera above the screen.
3A - Slide shelf support in through the top of the support bracket as pictured, match orientation (window at the bottom).
3B - Position threaded stud of shelf support through the vertical slot in the support bracket.
3C - Position B 'spacer' over threaded stud.
3D - Position and tighten C 'hand wheel' over threaded stud.

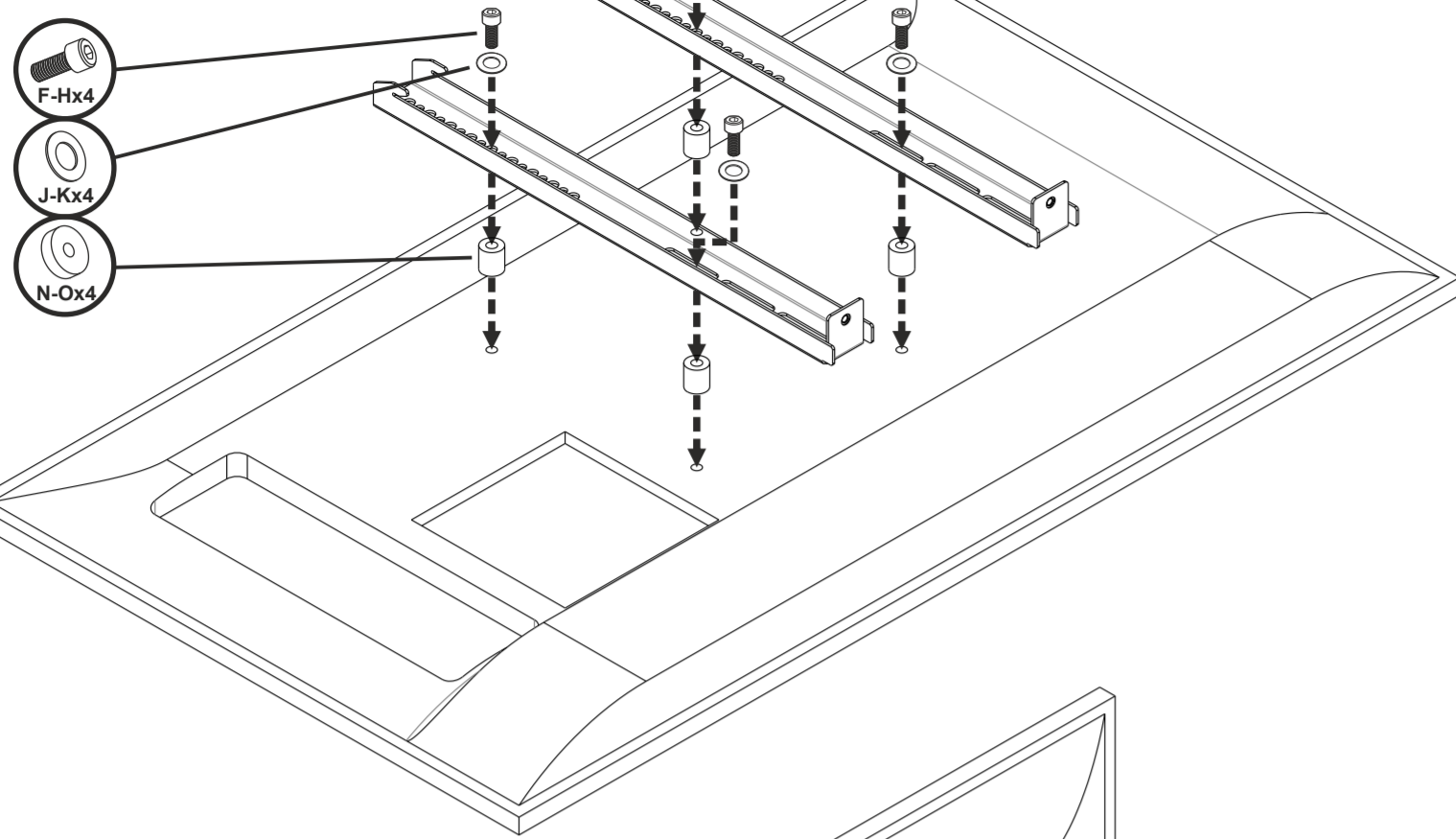


OR
 Mounting camera shelf below screen

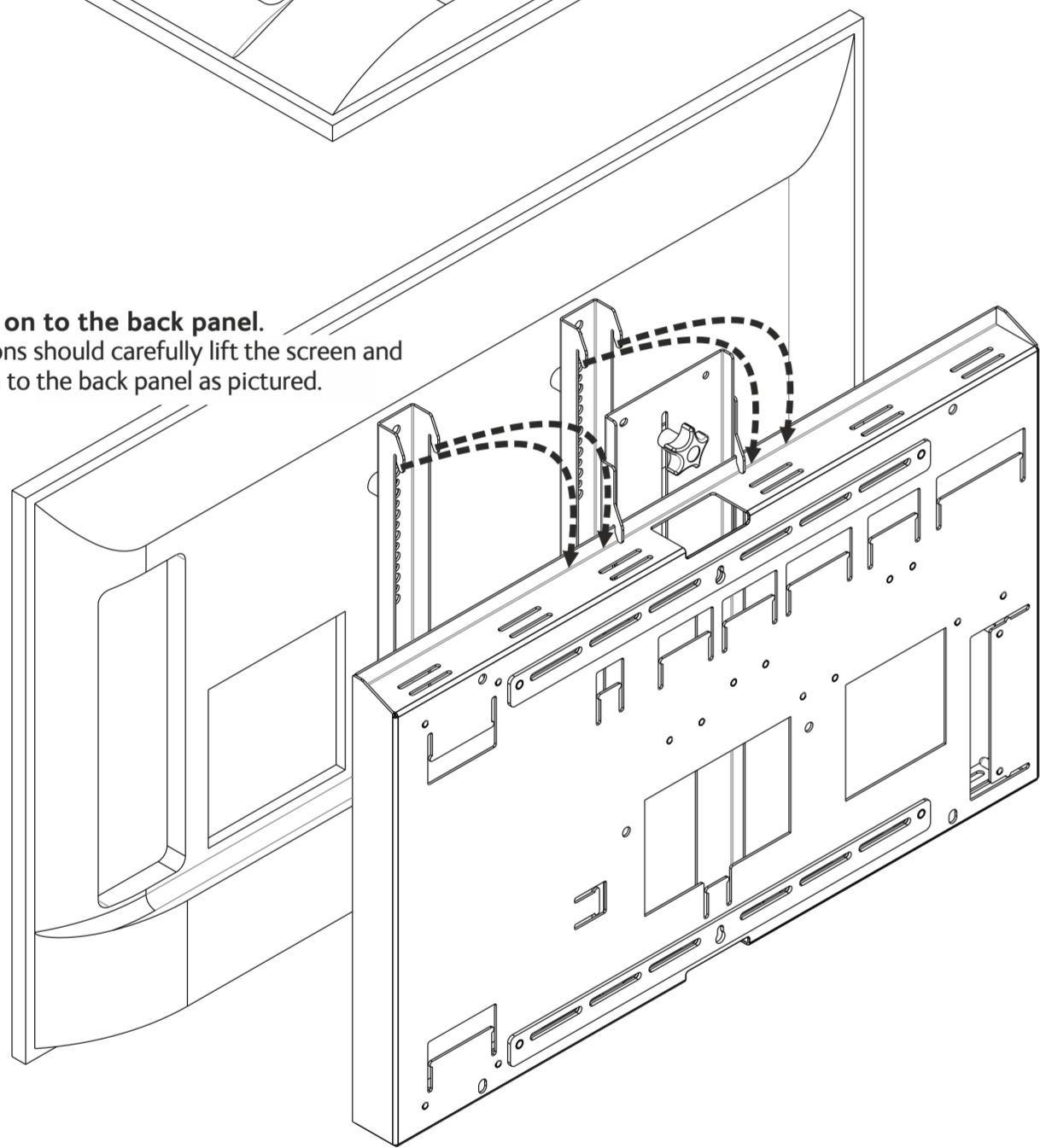
3 Option 2: Mount install shelf support. Installing a camera below the screen.
3A - Slide shelf support in through the bottom of the support bracket as pictured, match orientation (window at the bottom).
3B - Position threaded stud of shelf support through the vertical slot in the support bracket.
3C - Position B 'spacer' over threaded stud.
3D - Position and tighten C 'hand wheel' over threaded stud.



4 Install vertical arms parallel to the screen.
If the screen is not completely flat use the included spacers to clear any formations or obstructions.

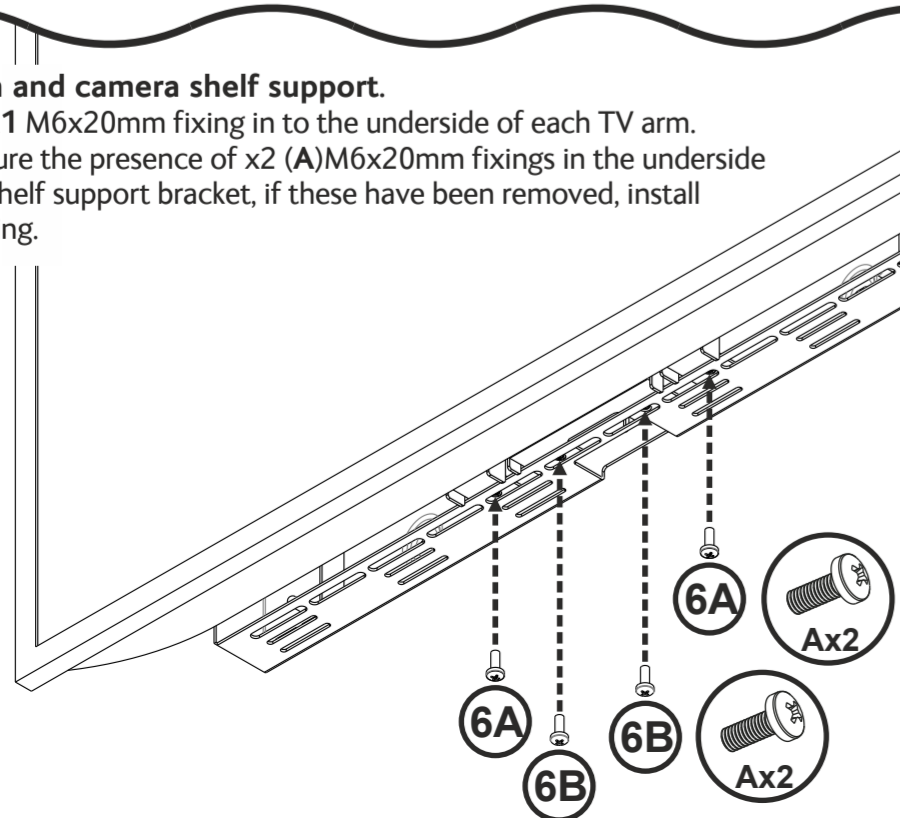


5 Hang TV on to the back panel.
Two persons should carefully lift the screen and hang it on to the back panel as pictured.



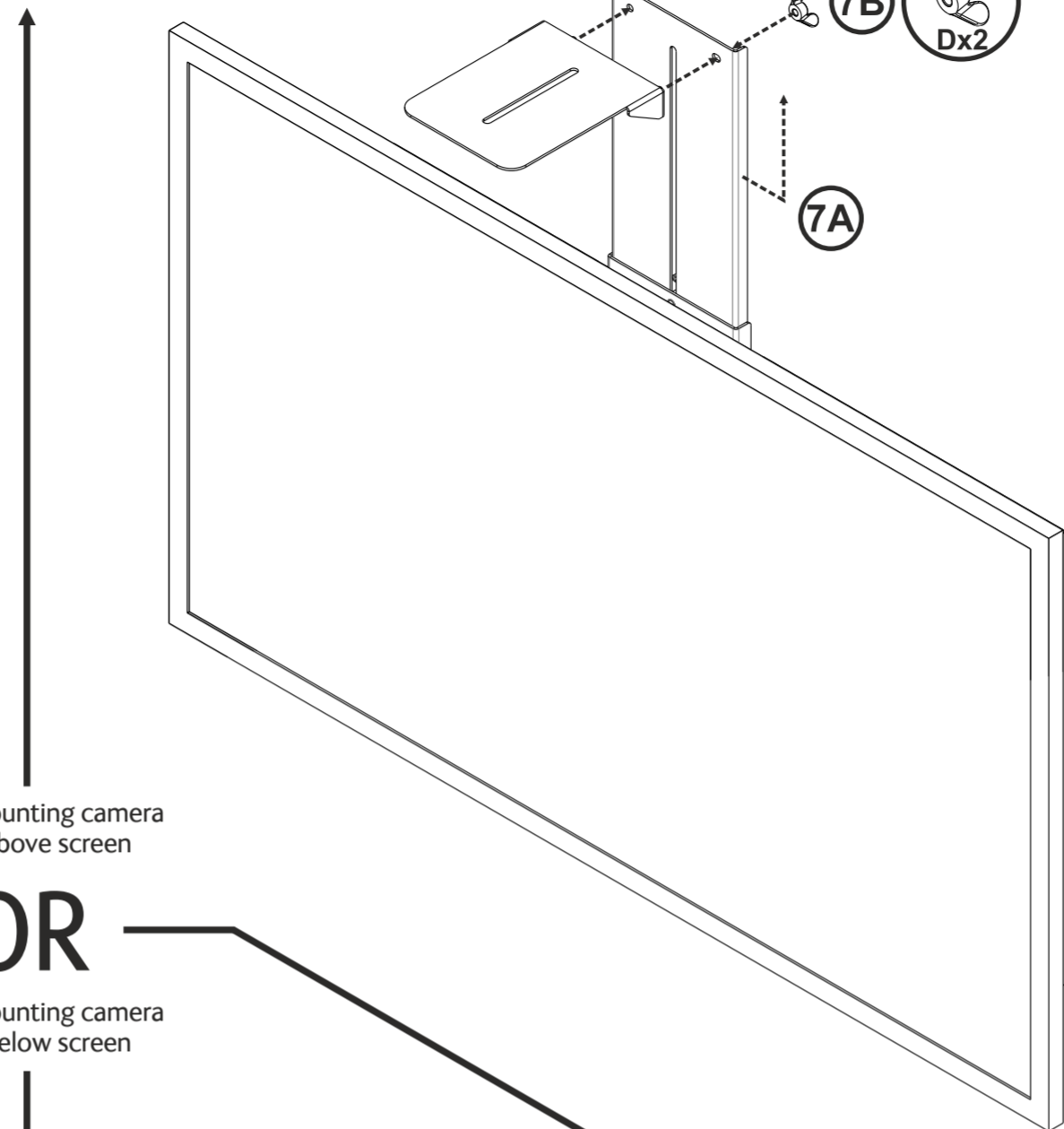
6 Secure screen and camera shelf support.

6A - Insert **A** x1 M6x20mm fixing in to the underside of each TV arm.
6B-Note - Ensure the presence of x2 (A)M6x20mm fixings in the underside of the camera shelf support bracket, if these have been removed, install before proceeding.



7 Mount camera shelf and camera above screen.

7A - Loosen the hand wheel and adjust the camera support up to its maximum position, re-tighten hand wheel.
7B - Mount shelf to the support and secure in place with **D x2** 'wingnuts'.
7C - Position camera on to shelf
7D - Insert **E** 'UNC camera fixing' in to the camera thread through the slot in the camera shelf
7E - Loosen hand wheel and adjust shelf to desired height.
Note - Do not rest camera shelf on the top edge of the screen.
7F - Re-tighten hand wheel and ensure shelf is secure.



When mounting camera shelf above screen

OR

When mounting camera shelf below screen

7 Mount camera shelf and camera below screen.

7A - Loosen the hand wheel and adjust the camera support up to its maximum position, re-tighten hand wheel.
7B - Mount shelf to the support and secure in place with **D x2** 'wingnuts'.
7C - Position camera on to shelf
7D - Insert **E** 'UNC camera fixing' in to the camera thread through the slot in the camera shelf
7E - Loosen hand wheel and adjust shelf to desired height.
Note - Do not rest camera shelf on the top edge of the screen.
7F - Re-tighten hand wheel and ensure shelf is secure.

